

TECHNICAL DATA

ENCLOSURE :-  
EX-d AS PER IS/IEC 60079-1:2007

PROTECTION :-  
IP-66 AS PER IS/IEC (60529:2001)

AREA CLASSIFICATION :-  
ZONE -1 & 2

TEMPERATURE CLASS :-  
T6

GAS GROUPS :-  
IIA & IIB

MATERIAL OF CONSTRUCTION :-  
DIE CAST ALLOY LM-6

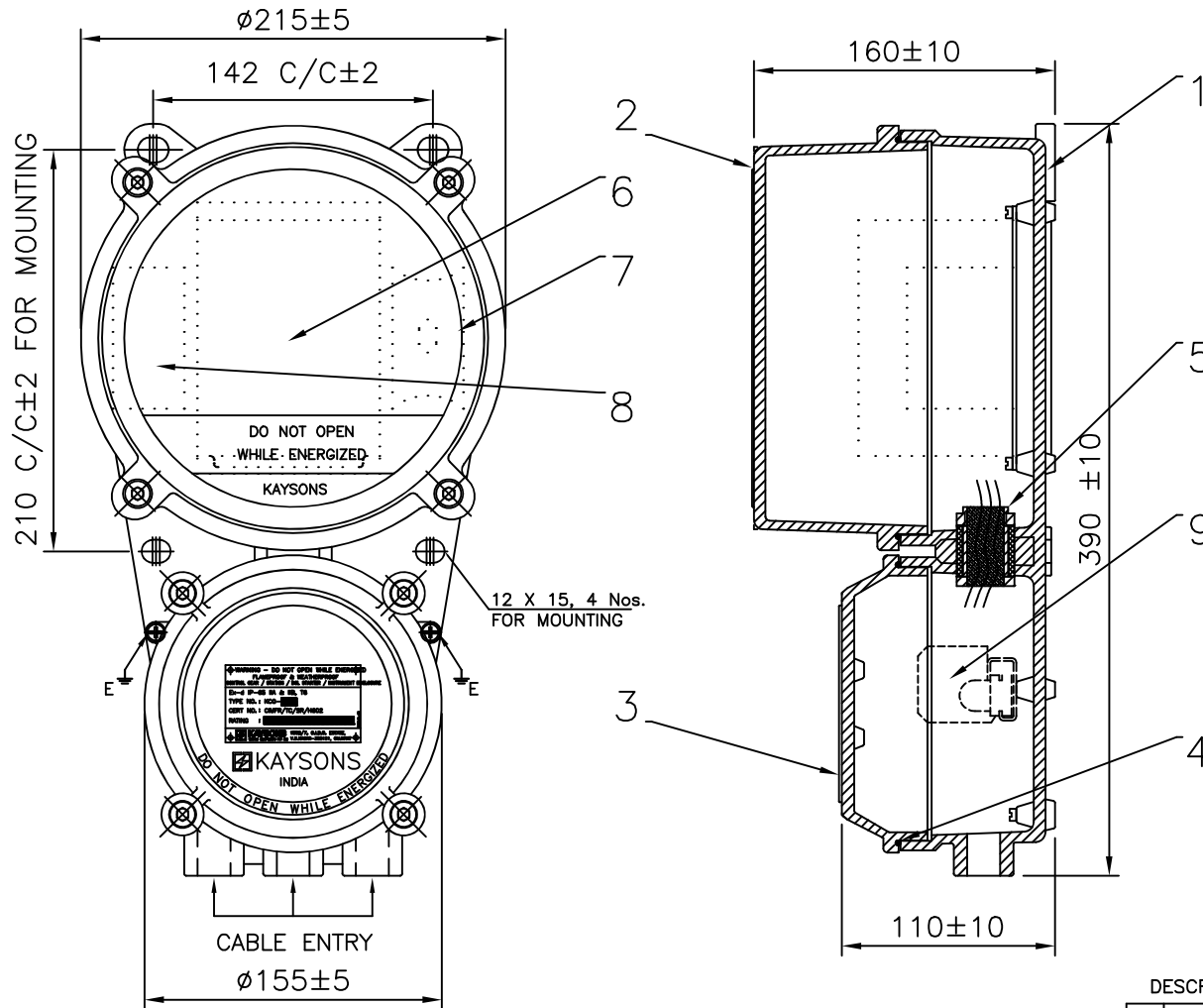
HARDWARE :-  
STEEL ZINC PLATED/STAINLESS STEEL

FINISH:-  
LIGHT GREY POWDER COATED.

EARTHING:-  
1 NO. INSIDE & 2 NOS. OUTSIDE

CABLE ENTRY:-  
3/4"ET - 03NOS.

NO.	DESCRIPTION	QTY	MAT./RATING
09.	TERMINAL	A.R.	CLIPON TYPE
08.	CAPACITOR	1	---
07.	HRC FUSE (OPTIONAL)	1	---
06.	BALLAST	1	COPPER WOUND
05.	WIRE BUSH	1	GLASSFEEL NYLONE
04.	GASKET (ENDLESS, MOULDED)	2	NEOPRENE
03.	TERMINAL ENCLOSURE COVER	1	CAST AL. ALLOY
02.	MAIN ENCLOSURE COVER	1	CAST AL. ALLOY
01.	BODY	1	CAST AL. ALLOY



DESCRIPTION

SL. NO.	RATING
01.	80W HPMV
02.	125W HPMV
03.	250W HPMV
04.	400W HPMV
05.	150W MHL

ISSUE	DATE	BY	MODIFICATION

CLIENT \_\_\_\_\_  
 CONSULTANT \_\_\_\_\_  
 P.O.No. \_\_\_\_\_

**KAYSONS** 1802/7, G.I.D.C. ESTATE,  
 TECHNO EQUIPMENTS PVT LTD V.U.NAGAR 388121. (GUJARAT)

DRAWN *MSP*  
 CH'D *MSP*  
 APP'D *MSP*

01.09.16

DESCRIPTION:-  
**FLAMEPROOF WEATHERPROOF CONTROL GEAR BOX**

SHT.NO. 1 OF 1  
 REV. 0  
 DRG.NO.:- A15